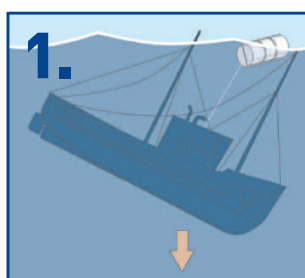
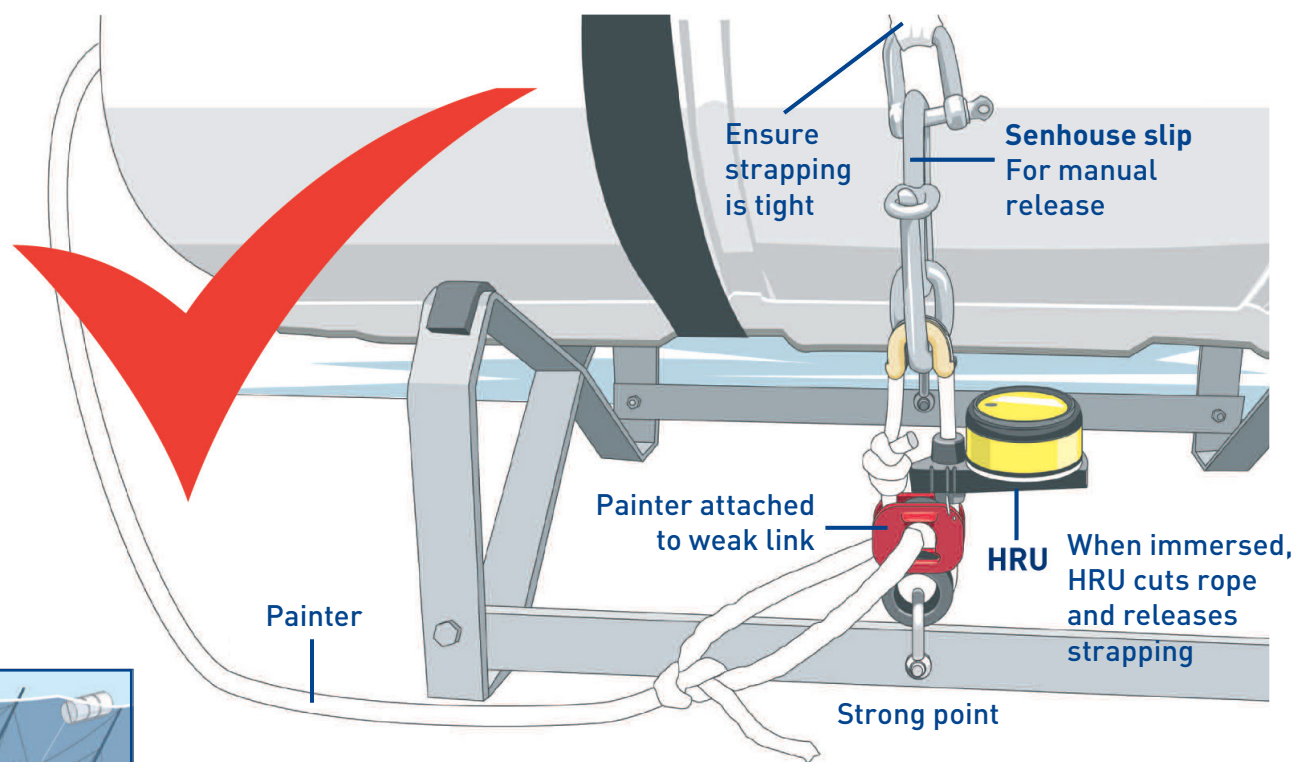
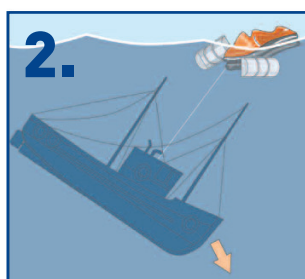


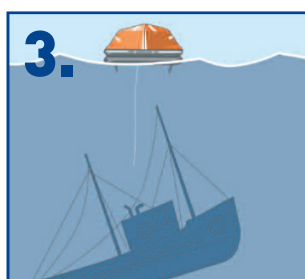
# EMERGENCY! WILL YOUR LIFERAFT FLOAT FREE? Or will it sink with your vessel?



**1.** If vessel sinks, Hydrostatic Release Unit activates and liferaft attempts to float to surface



**2.** Tension on painter will cause liferaft to inflate



**3.** Tension on weak link will cause it to break ensuring liferaft does not go down with the vessel

## Fit it right!

- Ensure the raft is not obstructed when it floats free
- No additional strapping should be fitted to the liferaft
- Ensure your HRU is in date
- Ensure your liferaft has been serviced

## Most important of all

- Make sure your painter is attached to the weak link, and not the vessel or your liferaft will go down with your vessel